

# TapTone Segment8 Rejector



## Segment8 Rejector

High speed standing rejection and diversion

### Standing Rejection and Lane Diversion

The TapTone Segment8 rejector is a high speed rejection system for standing rejection and lane diversion. The Segment8 rejector is compatible with T550 and PRO Series user interfaces. It is available in two configurations, the standard Segment8 (for use with a TapTone inspection system) and the Segment8 Solo (pictured on the back - for use on any production line). Both the Segment8 and Segment8 Solo are floor mounted and come with either a fixed height stand or a motorized height adjustment for simple push button product changeover.

#### Benefits

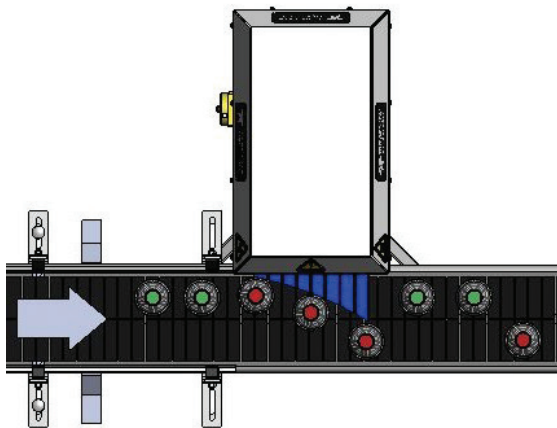
- Standing rejection for rigid stable containers
- No conveyor modifications required; rejector is floor mounted next to existing conveyor
- Push button, motorized height adjustment or fixed height stand
- Optional "reject all" mode
- Easy operation using a color touch screen and icon driven menus
- Up to 5 inches (127mm) of displacement
- Wash down safe

#### Applications

- Cans
- Juice bottles
- Glass bottles
- Condiment containers
- Household chemicals
- Nutraceutical products
- Personal care & cosmetics

## How It Works

When a reject signal is received, a solenoid is actuated, allowing air to extend the cylinder, which guides (not pushes) the faulty container off the production line. The length of time the cylinder is extended is a function of the duration of the reject signal. When the signal ceases, the cylinder is returned to the home or retracted position.



TapTone Segment8 Rejector

## SYSTEM SPECIFICATIONS

### Segment8 Rejector General Specifications

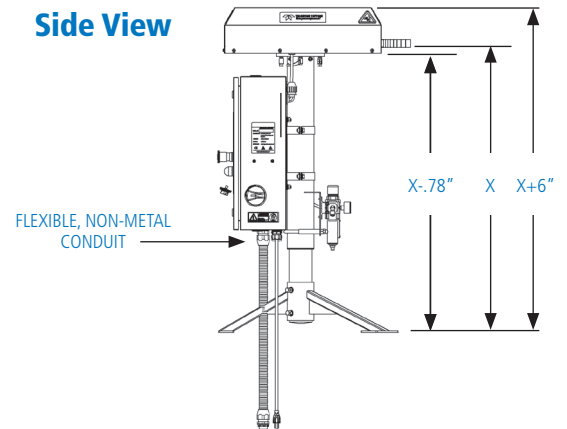
<b>Operating Speed (max)</b>	Up to 800 cpm (space dependent)/48/k hour
<b>Compatible with</b>	T550 and PRO Series user interfaces
<b>Operating Conditions</b>	Stable Ambient Temperature: 0° - 50° C (32° to 122° F) Relative Humidity: 0 – 95% maximum, non-condensing
<b>Weight</b>	54 kg (120 lbs)
<b>Displacement</b>	Up to 5 inches (127mm)
<b>Spacing</b>	1.5 inches minimum
<b>Number of segments</b>	8
<b>Power Requirements</b>	Voltage: 110-120V/ 220-240V Current: 3A / 1.5A, single phase
<b>Operating Air</b>	Up to 100 psi/ 6.9 bar maximum
<b>Material</b>	Stainless Steel and Delrin
<b>Mounting</b>	Tripod floor mount
<b>Rating</b>	NEMA 4X, IP65



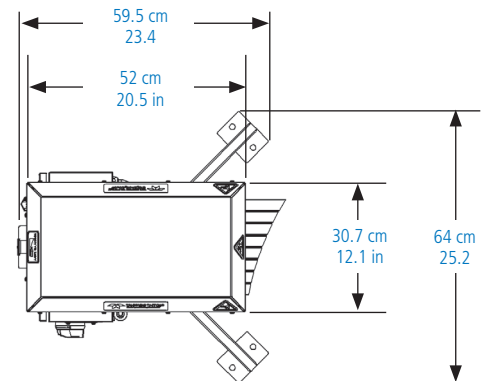
Segment8 Solo

### Segment8 Rejector

#### Side View



#### Top View



### Segment8 Rejector

#### Compatible Systems

- T550
- PRO Series

10/2021 Specifications subject to change without notice.  
Copyright 2021, TELEDYNE TAPTONE, A division of Teledyne Instruments, Inc.