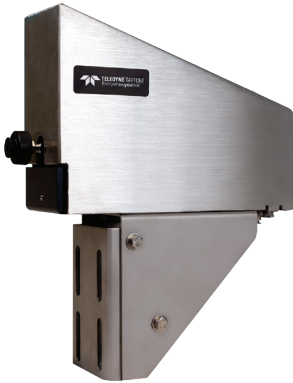


# TapTone HD RAM Rejector



## HD RAM Rejector

Highly flexible and rugged design. Conveniently adapts to reject cans, glass and large jugs at 2,000 CPM speeds.

### HD RAM Rejector

TapTone's Heavy Duty (HD) Ram Rejector provides reliable rejection of up to 2000 containers per minute and are available with a fixed stroke length of 0.5 in, 1.0 in or 3 in (1.2 cm, 2.5 cm or 7.6 cm). Designed for tight production spaces, these systems can be conveyor or floor mounted, and withstand water wash down.

#### Features

- Rugged all welded stainless steel watershed enclosure
- Three different reject pad designs for cans, glass or large jugs
- Operating speeds to 2,000 container per minute
- Large container displacement at high speeds
- High speed, oil-free cylinder design with bumpers
- Mounting bracket with adjustable position in/out and angle of reject pad
- Reliable high speed actuation valve (24VDC)
- Molded rubber reject pad over 304 stainless steel plate
- Bottom mounted air fittings for better protection against damage

## How It Works

Ram rejectors use a pneumatically driven impact pad available in different length strokes and pad sizes depending on the product size and application. During inspection on a production line, a shaft encoder pulse signal tracks the product position, which is sent to the controller enabling precision timing of the reject signal and stroke actuation for defective product removal.

Operating at line speeds up to 2,000/cpm, the TapTone HD ram rejectors feature an oil free cylinder design with a NEMA 4X IP65 environmental rating insuring reliability with precision results. These rejectors can be used with TapTone inspection controllers or free standing controllers capable of producing a 24 VDC reject signal.

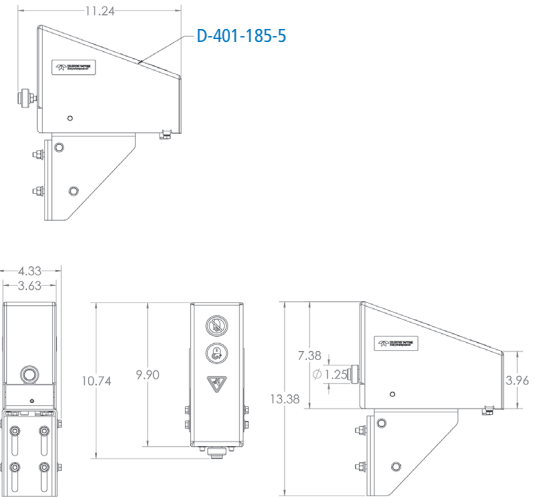


## SYSTEM SPECIFICATIONS

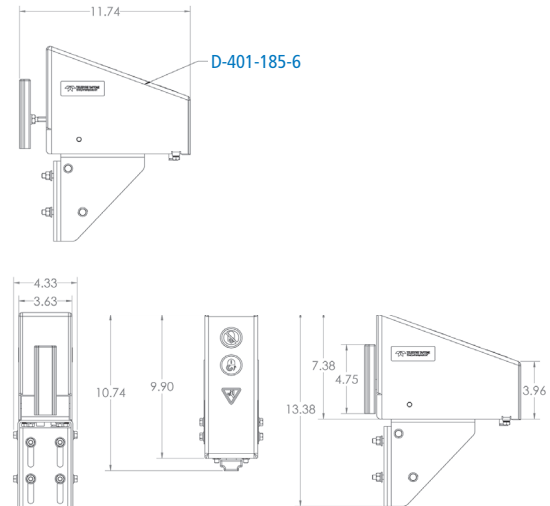
### HD Rejector Specifications

<b>Power Requirement</b>	24 VDC, 0.7 Amps, 17 Watts, pulse 12 to 20 milliseconds based on stroke length
<b>Environmental Rating</b>	NEMA 4X, IP65
<b>Operating Conditions</b>	Stable Ambient Temperature: 0° - 50° C (32° to 122° F) Relative Humidity: 0 - 90%, non-condensing Altitude: Sea level to 3,035 m (10,000 feet)
<b>Construction</b>	Box: 304 Stainless steel enclosure, high pressure wash-down  Size: 18.09 cm height 9.20 cm width x 27.94 cm depth (7.125 in x 3.625 in x 11.0 in)
<b>Cylinder Stroke</b>	½" (12.7mm) Short Stroke 1" (25.4mm) Medium Stroke 3" (76.2mm) Long Stroke
<b>Reject Pad</b>	Stainless steel frame molded in black hard urethane rubber
<b>Air Regulator Assembly</b>	Filter/Regulator with lockout port
<b>Maximum Line-in Pressure</b>	150psi (11 bar)
<b>Operating Pressure</b>	60-80psi (4.2 – 5.6 bars)

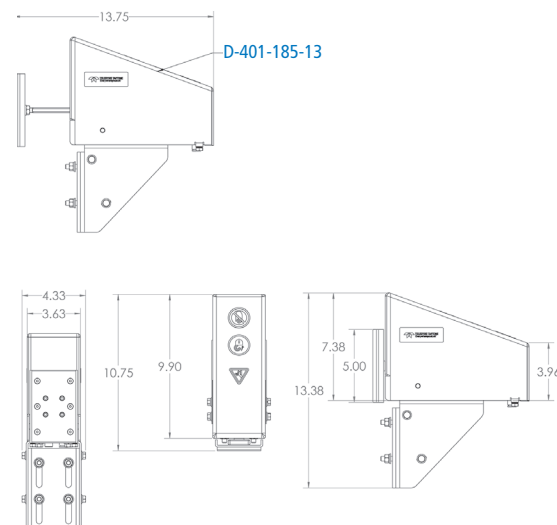
### 1/2" Stroke (12.7mm)



### 1" Stroke (25.4mm)



### 3" Stroke (76.1mm)



10/2021 Specifications subject to change without notice.  
Copyright 2021, TELEDYNE TAPTONE, A division of Teledyne Instruments, Inc.