

# TapTone DSC



## PRO Series DSC

Dual Sensor Compression Inspection for leaks, fill level, and physical defects on flexible plastic containers. Available in Standard or Low Profile configuration.

### Advanced Leak Detection for Flexible Containers

The TapTone Dual Sensor Compression (DSC) sensor is designed to inspect a wide variety of flexible containers for micro leaks. The design incorporates our patented dual sensor technology and high speed compression belts for improved accuracy and container handling. The system was designed for harsh environments. When combined with optional sensors, this system will also perform fill level inspection, cap inspection and label detection. The sensor is available in a low profile format for small container handling.

#### Features

- Rapid on-line inspection: up to 1.52 m/sec (300 ft/min) maximum
- Accurate leak detection as small as 0.152 mm (0.006 in). Application & container dependent
- Easy operation & product set-up using a large color touch screen and icon driven menus
- Combined inspections on a single controller: Up to 4 primary inspections (Dual Compression, X-ray, Acoustic, Proximity)
- Reject and sort with 2 independently operated reject outputs
- Meets CE requirements, UL and CUL approved

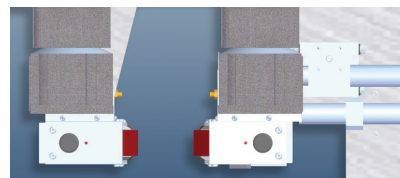
#### Applications

- Leak detection in plastic containers
- Leak detection in food/dairy cups
- Leak detection in hot filled plastic containers
- Leak detection in stand up pouches
- Leak detection in tubes
- Leak detection in blow/fill seal vials
- Leak detection in single serve size trays and tubs

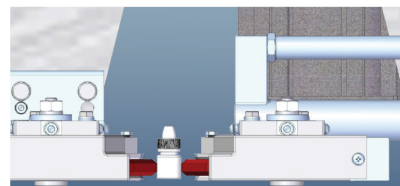
## How It Works

### Dual Sensor Compression Technology

Detects and rejects leaking and damaged flexible containers at production line speeds up to 1.52 m/sec (300 ft/min). The system is designed with dual parallel belts suspended over the customer's existing conveying system. As the container passes through the system, the dual parallel belts apply force to the sidewall of the container. This action compresses the headspace of the container which allows a comparative measurement to be taken at both the infeed and the discharge of the system. Comparing readings on the same container at the infeed and discharge of the system eliminates the effects of typical product and container variations.



TapTone DSC Standard Profile



TapTone DSC-LP Low Profile

## SYSTEM SPECIFICATIONS

### PRO Series DSC/DSC-LP Specifications

<b>Operating Speed (max)</b>	1.52 m/sec (300 ft/min)
<b>Standard Conveyor Height Range</b>	91.4 cm-132 cm, (36 in-52 in)
<b>Optional Conveyor Height (leg extensions)</b>	121.9 cm-162.5 cm (48 in-64 in)
<b>Belt Opening (maximum)</b>	159 mm (6.25 in)
<b>Digital Outputs</b>	8
<b>Digital Inputs</b>	4
<b>Shaft Encoder</b>	Stainless steel
<b>AC Line Voltage (standard)</b>	230 VAC, 1-phase
<b>AC Line Voltage (option)</b>	460 VAC, 3-phase
<b>Alarm Outputs</b>	2 (multi-function configurable)
<b>Reject Outputs</b>	2

### Material & Control Enclosure

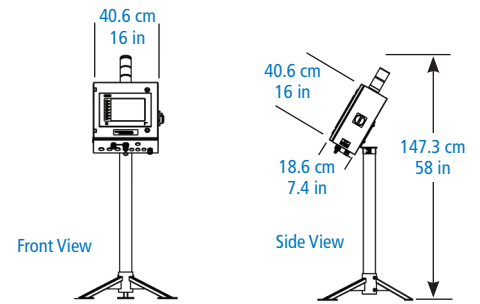
<b>Enclosure Environmental Rating</b>	Stainless steel, NEMA-4X, IP65 rated
<b>Transport Deck Materials</b>	Stainless steel
<b>Frame Material Finish</b>	Stainless steel

### Software & Network Capabilities

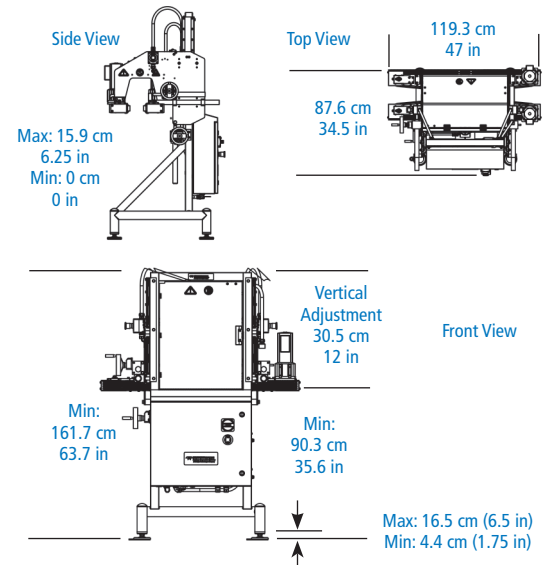
- Remote Diagnostics
- Supports Multiple Languages (user interface dependent)
- Stores Multiple Product Set-Ups
- Supports Industrial Ethernet Protocols (EtherNet/IP and Modbus TCP)
- Multi-Level Password Protection

### PRO Series DSC

#### User Interface



#### Sensor



### PRO Series DSC

#### OPTIONS

##### Air Pressure Monitoring

Monitors and displays the air pressure at the rejector. Alarm signal will activate if the air pressure drops below user pre-set limits.

##### Belt Wash

The belt wash system is designed to clean and dry the compression belts on the PRO Series DSC.

##### Rejectors

TapTone offers a line of pneumatic ram and standing rejection systems.

##### TDLC Sensor

The new TDLC sensor is designed to test foil and plastic film sealed flexible containers with improved sensitivity.

[Other options available on our website](#)

### DSC Compatible Systems

- PRO Series

The DSC Sensor can also be added to existing systems as an upgrade. Sensor requires TapTone PRO Series user interface for operation.