

# TAPTONE

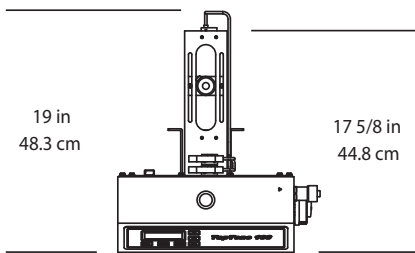
# 100

## Section A TapTone 100 Inspection System

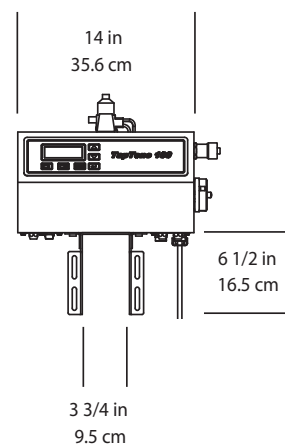
### Dimensions

#### DIMENSIONAL DRAWINGS

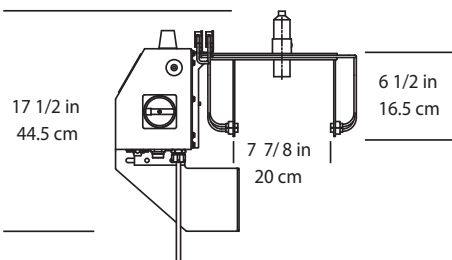
Top View



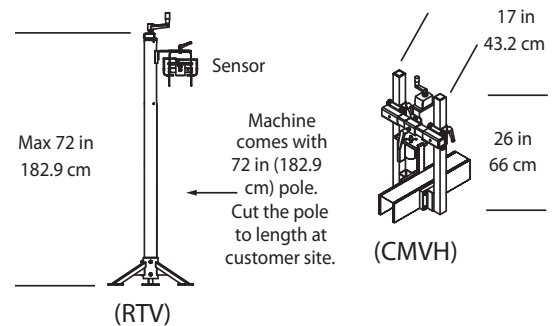
Front View



Side View



Optional Sensor Mountings



**TELEDYNE TAPTONE**  
Package Inspection Systems  
A Teledyne Technologies Company

[www.TapTone.com](http://www.TapTone.com)

49 Edgerton Drive • North Falmouth, MA 02556 USA

P: 508.563.1000

F: 508.564.9945

E-Mail: [taptone@teledyne.com](mailto:taptone@teledyne.com)

ISO 9001 Certified CE Compliant

Specifications subject to change without notice.  
TAPTONE is a registered trademark of TELEDYNE TAPTONE. Copyright 2008, TELEDYNE TAPTONE.